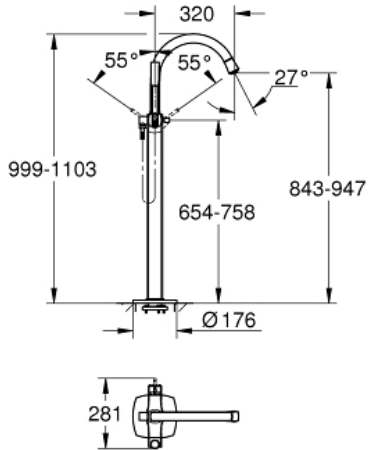
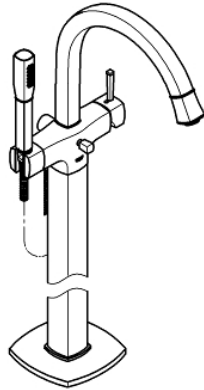


GRANDERA
Floor Standing Tub Filler
MODEL # 2331800A

Pure Freude
an Wasser

GROHE



Product Description:
GRANDERA
Floor Standing Tub Filler

Standard Specification:

- Requires Rough-In Set (29 038) (sold separately)
- **GROHE SilkMove** ceramic cartridge
- **GROHE StarLight** chrome finish
- Automatic diverter: bath/shower
- Spout with flow control
- 1/2" integrated non-return valves in the shower outlet
- With shower holder
- Silverflex shower hose 49" (1250 mm)
- Check valve included to prevent backflow
- Min. recommended pressure: 15 psi (1.0 bar)
- Max Flow Rate (hand shower): 2.0 gpm (7.6 l/min)

Applicable Codes & Standards:

- Energy Policy Act of 1992
- ASME A112.18.1/CSA B125.1
- ICC/ANSI A117.1
- LOGO CEC

Color:

- 2331800A StarLight Chrome